

TREO

THE ART OF MUSIC

POWER 10^{3000W}

POWER 10 POWER 12

IASCA **USACI** *dB Drag Racing* **BASS Race**

Autosound Competition Internacional

WWW.PROTECH.COM.MX

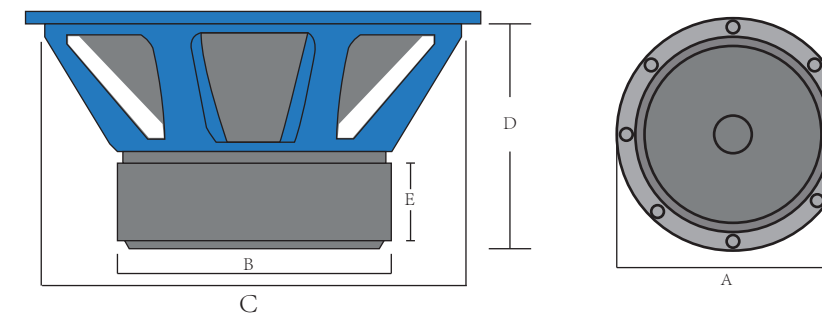
Congratulation! Thank you for choosing TREO. We are proud to introduce these exciting new lines of outstanding performance products. Our engineering team utilizes innovative technology to bring you the absolute best performance, sound quality, reliability and value.

Warning: TREO speakers are capable of producing soundlevels that can permanently damage your hearing! Turning up a system to a level that has audible distortion is more damaging to your ears than listening to an un-distorted system at the same volume level. The threshold of pain is indicator that the sound level is too loud and may damage your hearing. please use common sense when controlling volume.

Thiele Small Parameters

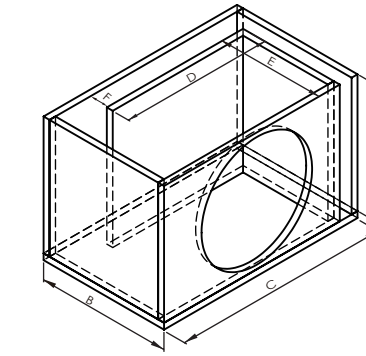
Model	POWER 10	POWER 12
Vas(Ltr)	8.959	23.058
Fo(Hz)	38.067	36.238
Qms	4.898	4.723
Qes	0.555	0.575
Qts	0.499	0.513
BL(T/M)	25.268	25.042
Spl(dB)	83.7	86.03
Cms(uM/N)	70.739	73.065
Mms(g)	247.108	264

Mounting Size



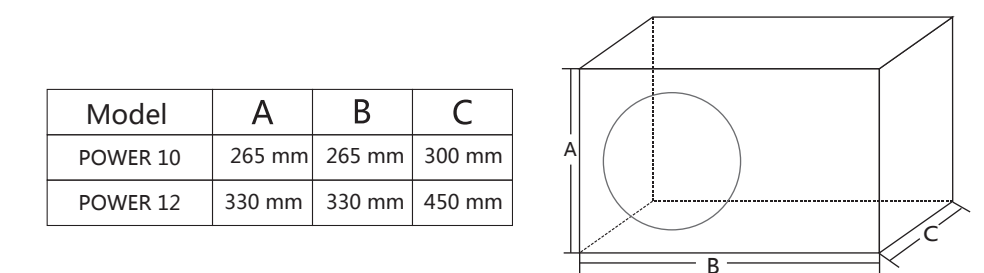
Model	A	B	C	D	E
POWER 10	275 mm	190 mm	245 mm	167 mm	50 mm
POWER 12	327 mm	190 mm	292 mm	185 mm	50 mm

Ported Enclosure (Inner size)



	A	B	C	D+E	F
POWER 10	255 mm	255 mm	345 mm	550 mm	20 mm
POWER 12	310 mm	340 mm	450 mm	670 mm	30 mm

Sealed Enclosure (Inner size)

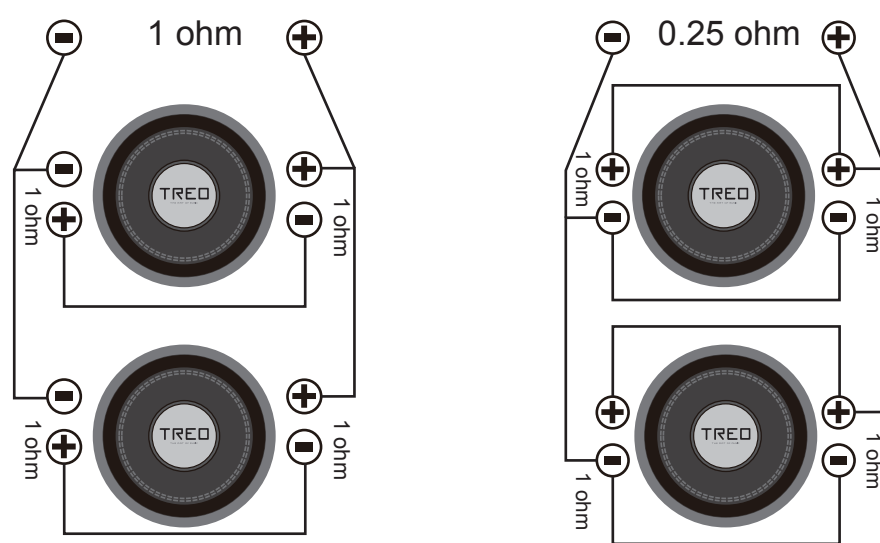


Model	A	B	C
POWER 10	265 mm	265 mm	300 mm
POWER 12	330 mm	330 mm	450 mm

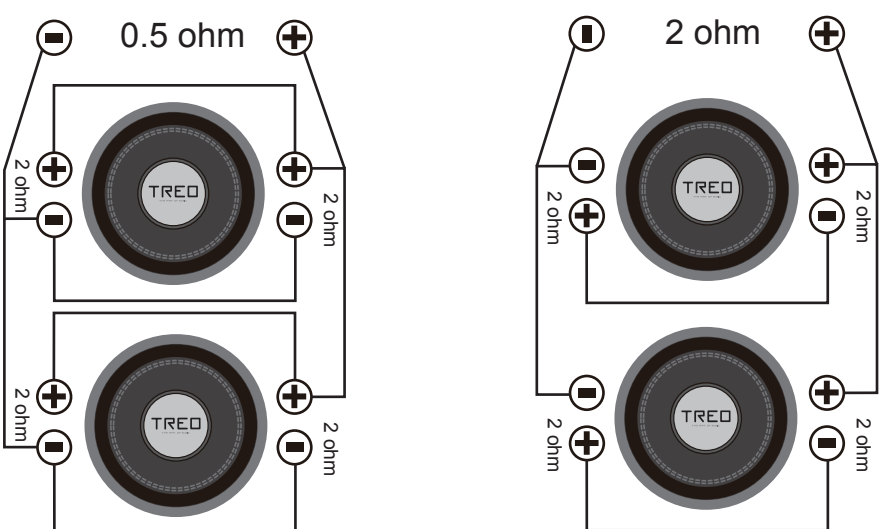
Ps: The above dimensions are recommended for your reference

Wire Connection

Two 1 ohm DVC Speakers= 1 ohm load Two 1 ohm DVC Speakers= 0.25 ohm load

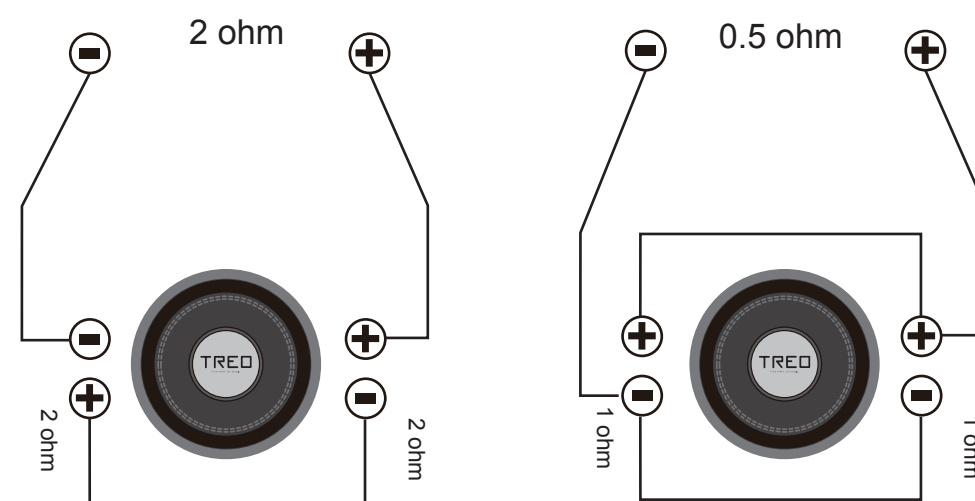


Two 2 ohm DVC Speakers= 0.5 ohm load Two 2 ohm DVC Speakers= 2 ohm load

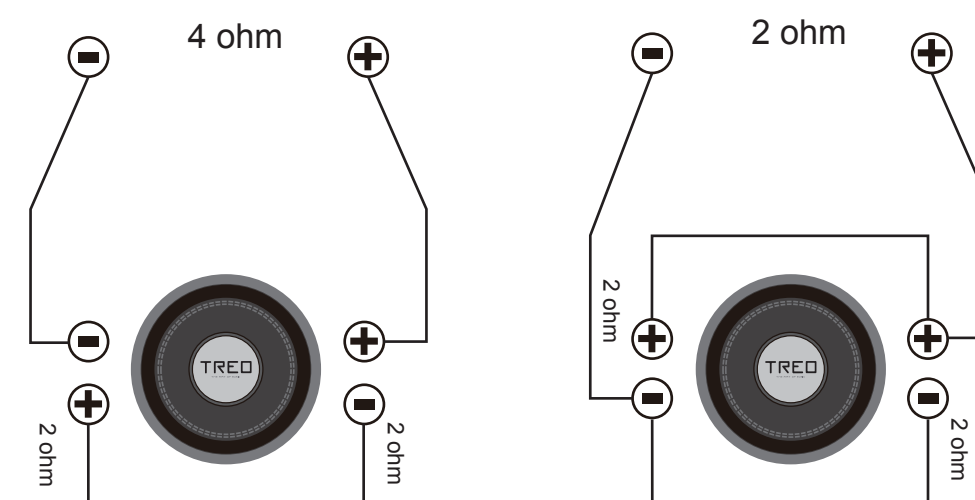


Wire Connection

One 1 ohm DVC Speakers= 2 ohm load One 1 ohm DVC Speakers= 0.5 ohm load

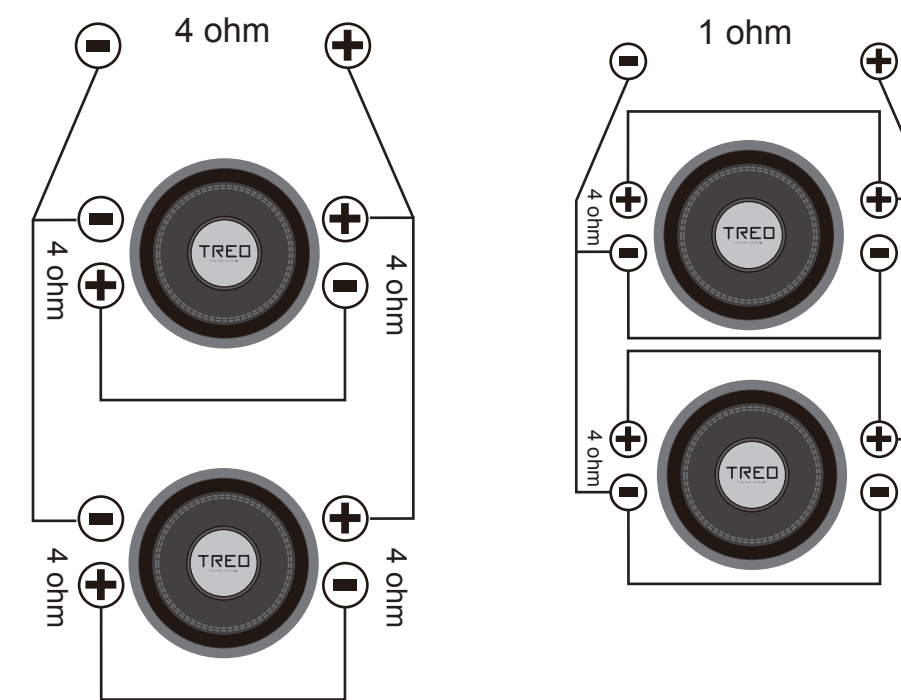


One 2 ohm DVC Speakers= 4 ohm load One 2 ohm DVC Speakers= 1 ohm load

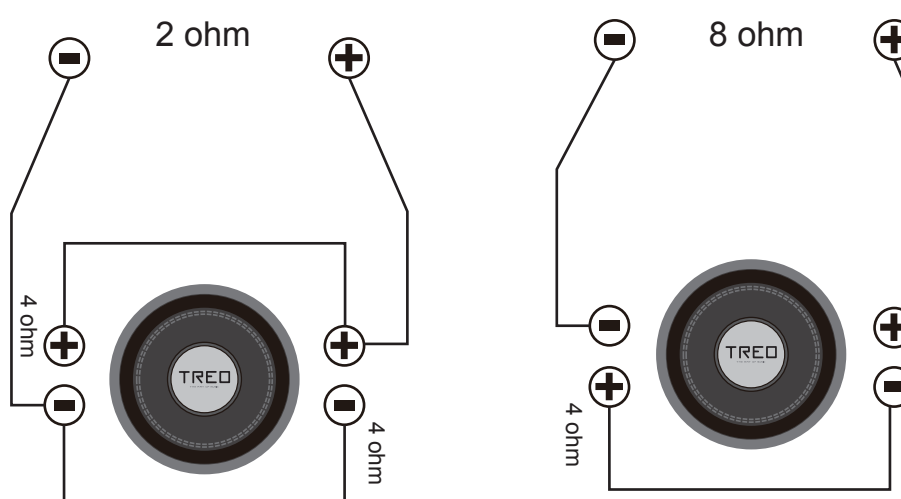


Wire Connection

Two 4 ohm DVC Speakers= 4 ohm load Two 4 ohm DVC Speakers= 1 ohm load



One 4 ohm DVC Speakers= 2 ohm load One 4 ohm DVC Speakers= 8 ohm load



TREO

THE ART OF MUSIC

WWW.PROTECH.COM.MX