



RKS-UL6504 OS
RKS-UL804 OS
RKS-1004 OS
RKS-1204 OS



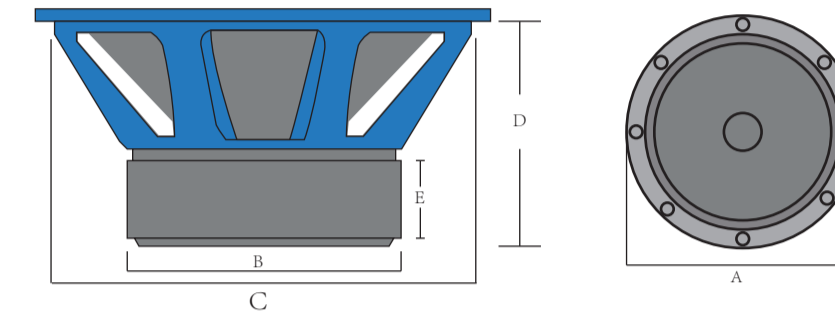
Congratulation! Thank you for choosing ROCK. We are proud to introduce these exciting new lines of outstanding performance products. Our engineering team utilizes innovative technology to bring you the absolute best performance, sound quality, reliability and value.

Warning: ROCK speakers are capable of producing soundlevels that can permanently damage your hearing! Turning up a system to a level that has audible distortion is more damaging to your ears than listening to an un-distorted system at the same volume level. The threshold of pain is indicator that the sound level is too loud and may damage your hearing. please use common sense when controlling volume.

Thiele Small Parameters

| | RKS-UL6504 OS | RKS-UL804 OS | RKS-1004 OS | RKS-1204 OS |
|-----------|---------------|--------------|-------------|-------------|
| Vas(Ltr) | 2.947 | 7.954 | 10.738 | 29.904 |
| Fo(Hz) | 64.835 | 41.181 | 38.824 | 36.674 |
| Qms | 6.419 | 4.620 | 4.232 | 4.620 |
| Qes | 0.730 | 0.442 | 0.671 | 0.666 |
| Qts | 0.656 | 0.404 | 0.579 | 0.604 |
| BL(T/M) | 15.883 | 20.778 | 24.804 | 23.234 |
| Spl(dB) | 82.3 | 82.9 | 85.96 | 86.9 |
| Cms(uM/N) | 101.298 | 145.704 | 55.286 | 72.452 |
| Mms(g) | 59.487 | 102.512 | 261.918 | 259.947 |

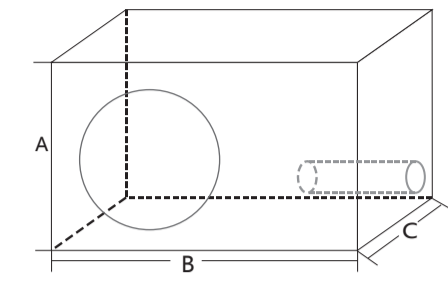
Mounting Size



| | A | B | C | D | E |
|---------------|--------|--------|--------|--------|-------|
| RKS-UL6504 OS | 167 mm | 120 mm | 159 mm | 105 mm | 40 mm |
| RKS-UL804 OS | 210 mm | 146 mm | 190 mm | 131 mm | 40 mm |
| RKS-1004 OS | 282 mm | 180 mm | 230 mm | 144 mm | 50 mm |
| RKS-1204 OS | 335 mm | 180 mm | 285 mm | 174 mm | 50 mm |

Ported Enclosure (Inner size)

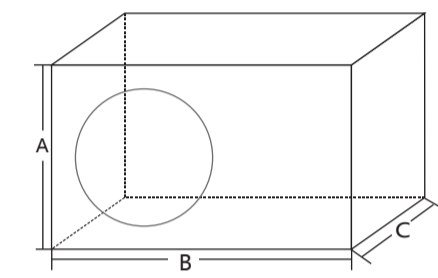
| | A | B | C |
|---------------|--------|--------|--------|
| RKS-UL6504 OS | 180 mm | 300 mm | 150 mm |
| RKS-UL804 OS | 210 mm | 360 mm | 205 mm |
| RKS-1004 OS | 260 mm | 300 mm | 275 mm |
| RKS-1204 OS | 320 mm | 526 mm | 420 mm |



| | RKS-UL605 OS | RKS-UL804 OS | RKS-1004 OS | RKS-1204 OS |
|---------------|--------------|--------------|-------------|-------------|
| Fb(Tuning Hz) | 50 Hz | 42 Hz | 38 Hz | 30 Hz |
| Port Inner OD | 50 mm | 50 mm | 20 mm | 40 mm |
| Port Length | 250 mm | 200 mm | 260 mm | 320 mm |

Sealed Enclosure (Inner size)

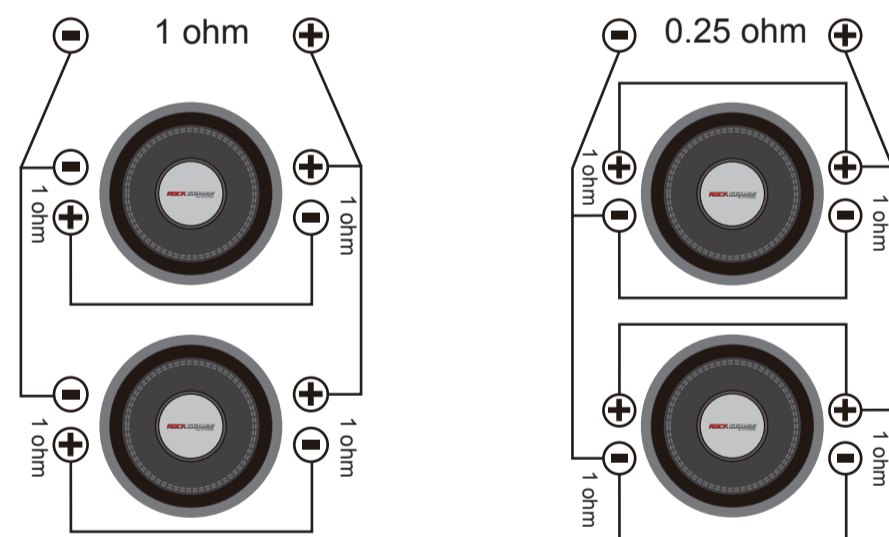
| Model | A | B | C |
|---------------|--------|--------|--------|
| RKS-UL6504 OS | 180 mm | 350 mm | 150 mm |
| RKS-UL804 OS | 210 mm | 220 mm | 350 mm |
| RKS-1004 OS | 280 mm | 270 mm | 300 mm |
| RKS-1204 OS | 320 mm | 345 mm | 285 mm |



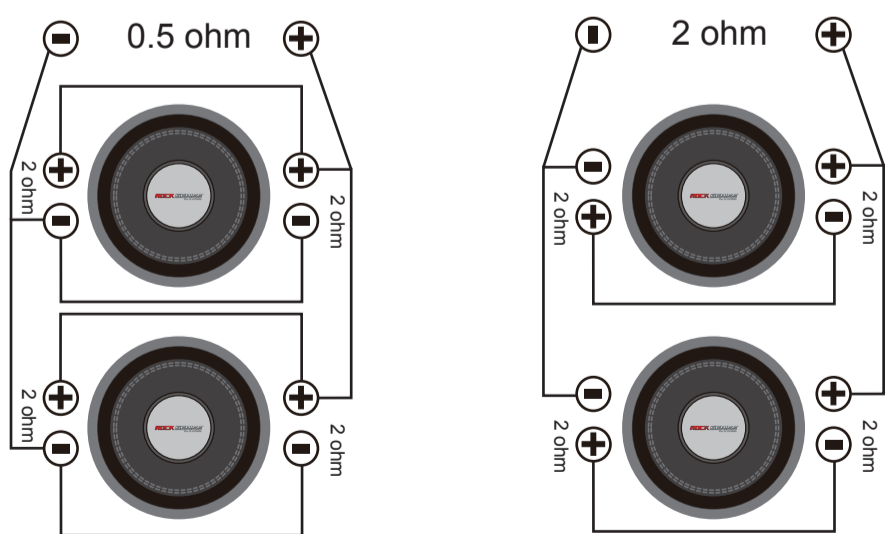
Ps: The above dimensions are recommended for your reference

Wire Connection

Two 1 ohm DVC Speakers= 1 ohm load Two 1 ohm DVC Speakers= 0.25 ohm load

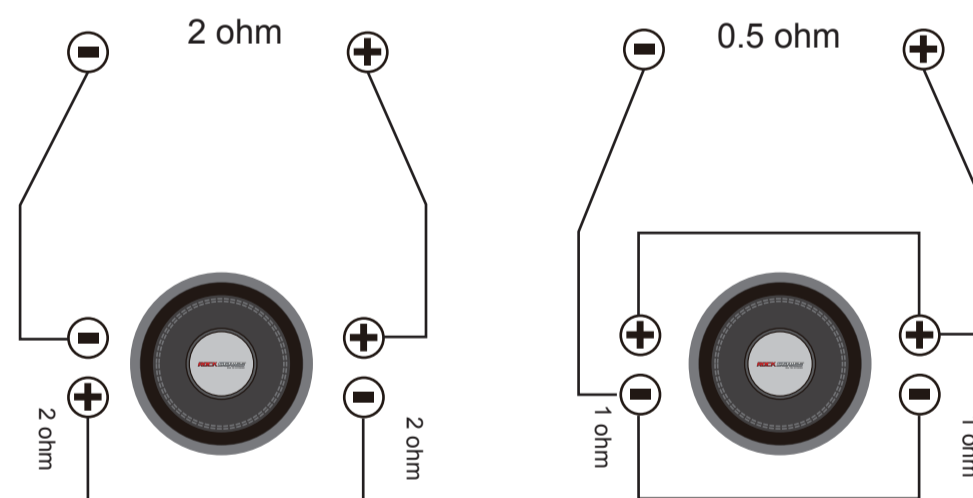


Two 2 ohm DVC Speakers= 0.5 ohm load Two 2 ohm DVC Speakers= 2 ohm load

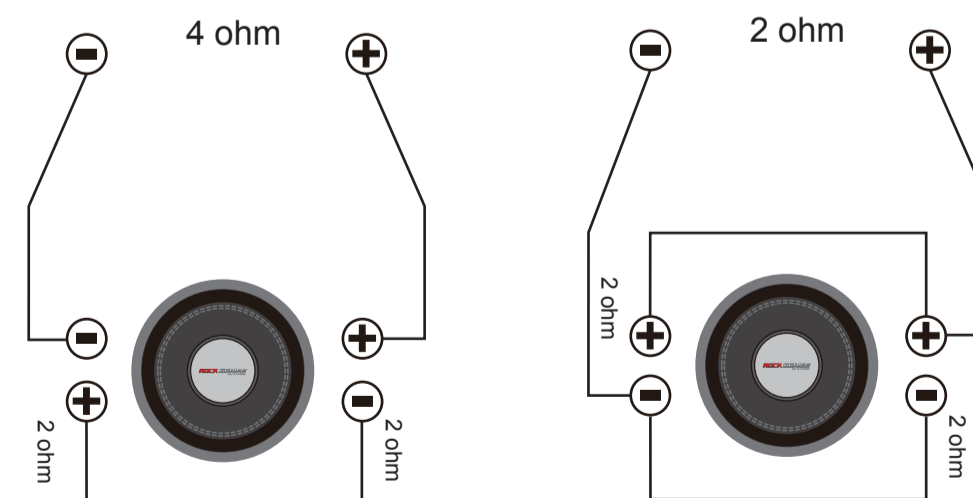


Wire Connection

One 1 ohm DVC Speakers= 2 ohm load One 1 ohm DVC Speakers= 0.5 ohm load

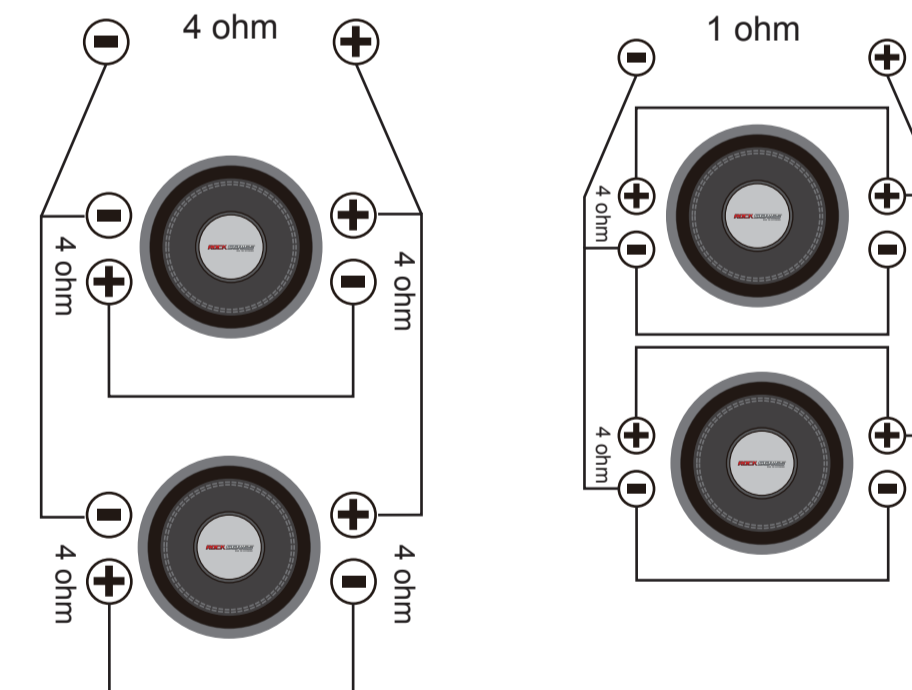


One 2 ohm DVC Speakers= 4 ohm load One 2 ohm DVC Speakers= 1 ohm load



Wire Connection

Two 4 ohm DVC Speakers= 4 ohm load Two 4 ohm DVC Speakers= 1 ohm load



One 4 ohm DVC Speakers= 2 ohm load One 4 ohm DVC Speakers= 8 ohm load

